

ACCESS CONTROL

TRION ACCESS CONTROL SYSTEM K-SEC SERIES



DESCRIPTION

Trion is an open, web-based access control system that allows you to manage and monitor your facility anytime, anywhere. Built on Tridium's NiagaraAX Framework®, **Trion** integrates with building automation systems, enabling the BAS to control lighting, HVAC equipment, and other building systems in response to access events and alarm conditions.



FEATURES

- *Web-based access control appliance*
- *Connectivity to any facility system via BACnet, LonWorks, Modbus, and oBIX*
- *Seamlessly integrates to HVAC, lighting, and energy management applications*
- *IT connectivity via XML, oBIX, SNMP and HTTP*
- *Integrated management of access control, alarm monitoring, intrusion detection and credential database*
- *Pre-defined custom reports on screen or exported*
- *Ability to view cameras from user interface*
- *Custom graphic floor plans and equipment display*
- *Intuitive guided setup wizard*
- *User-definable Wiegand card formats*
- *Elevator control*
- *Intrusion detection*
- *Access zone (advanced occupancy restrictions)*
- *Seamless integration with Kele AUTOPHOS lighting control system*

APPLICATION

- *Access Control*
- *Lighting*
- *Integrates with HVAC controls, energy management, and equipment monitoring*

SPECIFICATIONS	
Supply Voltage	90-263 VAC, 50/60 Hz, 15 VDC power supply module, 30W
Communication	2 Ethernet ports–10/100 Mbps 1 RS232 port (9-pin D-shell connector) 1 RS485 (6-pin screw terminal)
Operating System	QNX RTOS (QNX operating system) IBM J9 JVM (Java Virtual Machine) NiagaraAX
Platform	
Jace 2	Power PC 405EP 250 MHz processor 128 MB SDRAM & 64 MB serial flash, battery backup, real-time clock
Jace 6	Power PC 440 524 MHz processor 256 MB SDRAM & 128 MB serial flash, battery backup, real-time clock
Operating Temperature	32° to 122°F (0° to 50°C)
Operating Humidity	5 to 95% (non-condensing)
Dimensions	6.71"W x 4.00"H (17.06 x 10.16 cm)
Weight	2 lbs (0.91 kg)
Approvals	FCC part 15 Class A, CE, UL-294 (see installation requirements), UL File# BP10344,
RoHS Statement	Yes
Warranty	18 months

HARDWARE CAPACITIES				
Model	Card Readers	Supervised Inputs	Relay Outputs	Digital Inputs
T-JACE-201 (K-SEC-J-201)	2	6	4	3
T-JACE-601 (K-SEC-J-601)	2	6	4	3
Reader Module (K-SEC-R2R)	2	4	2	2
I/O Module (K-SEC-RIO)	—	8	8	2



ACCESS CONTROL

TRION ACCESS CONTROL SYSTEM K-SEC SERIES

1
ACCESS CONTROL

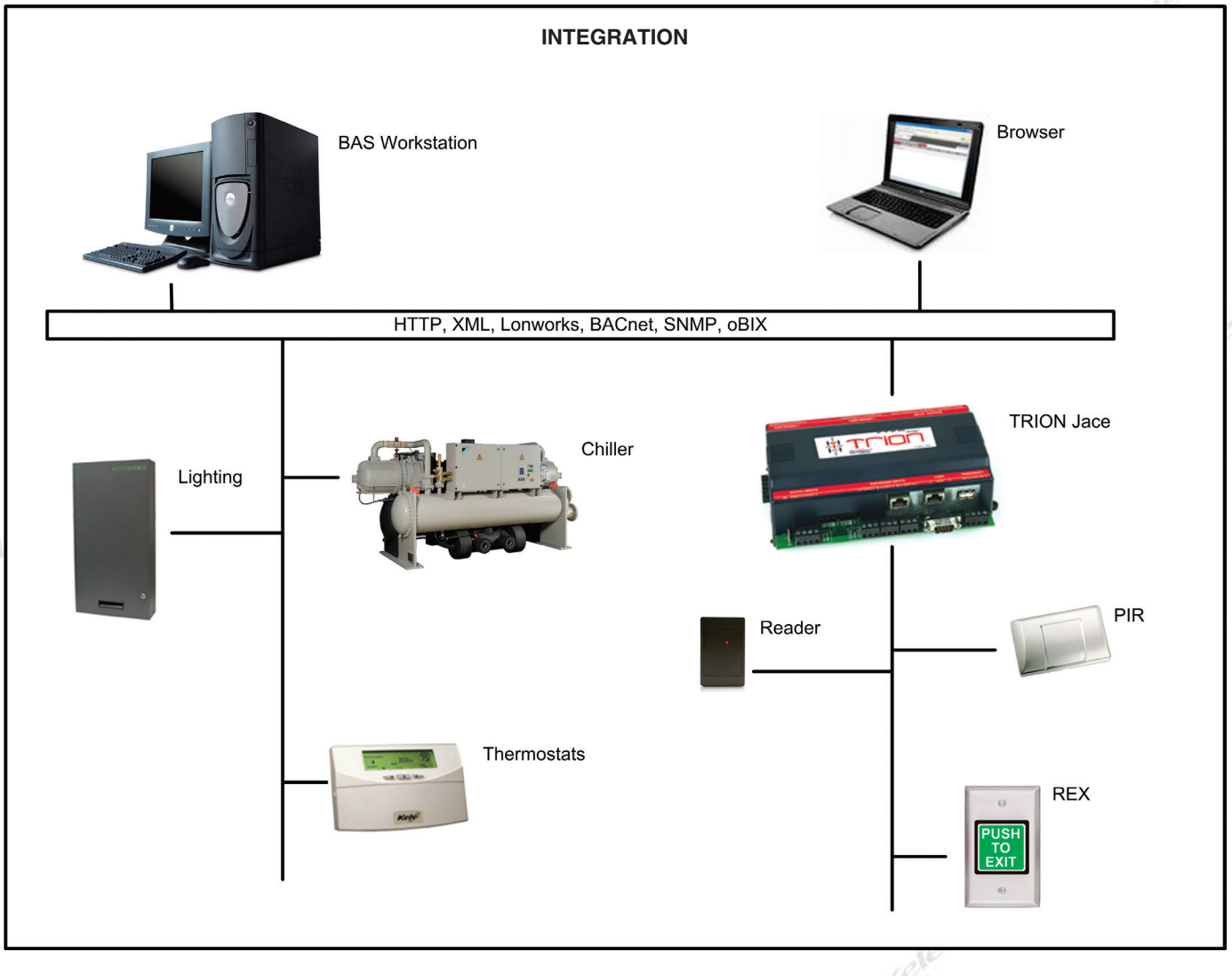
RESOURCE CAPACITIES

	K-SEC-J-201	K-SEC-J-061
Reader Modules	Up to 7	Up to 15 ¹
I/O Modules	Up to 8	Up to 15 ¹
Total Readers	16	32 ²
Intrusion Arming Keypad	Up to 2	Up to 6
Total I/O	64/64	120 ² /120 ²
Personnel Records	5,000	20,000
History Records	10,000	50,000

NOTES:

1. Maximum of 15 modules (combined reader and I/O) per K-SEC-J-601.
2. Up to 32 readers or 120 I/O points, depending on module combination.

INTEGRATION

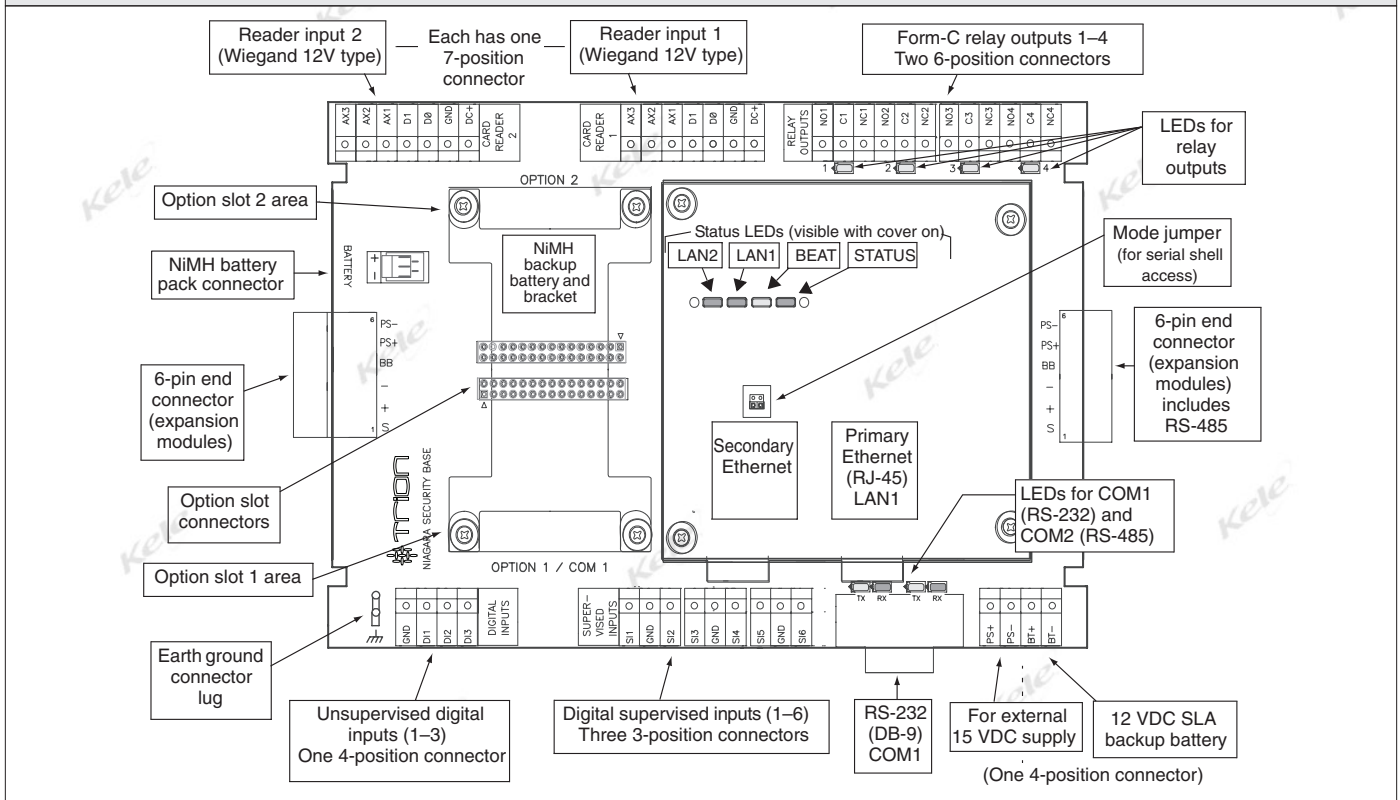


ACCESS CONTROL

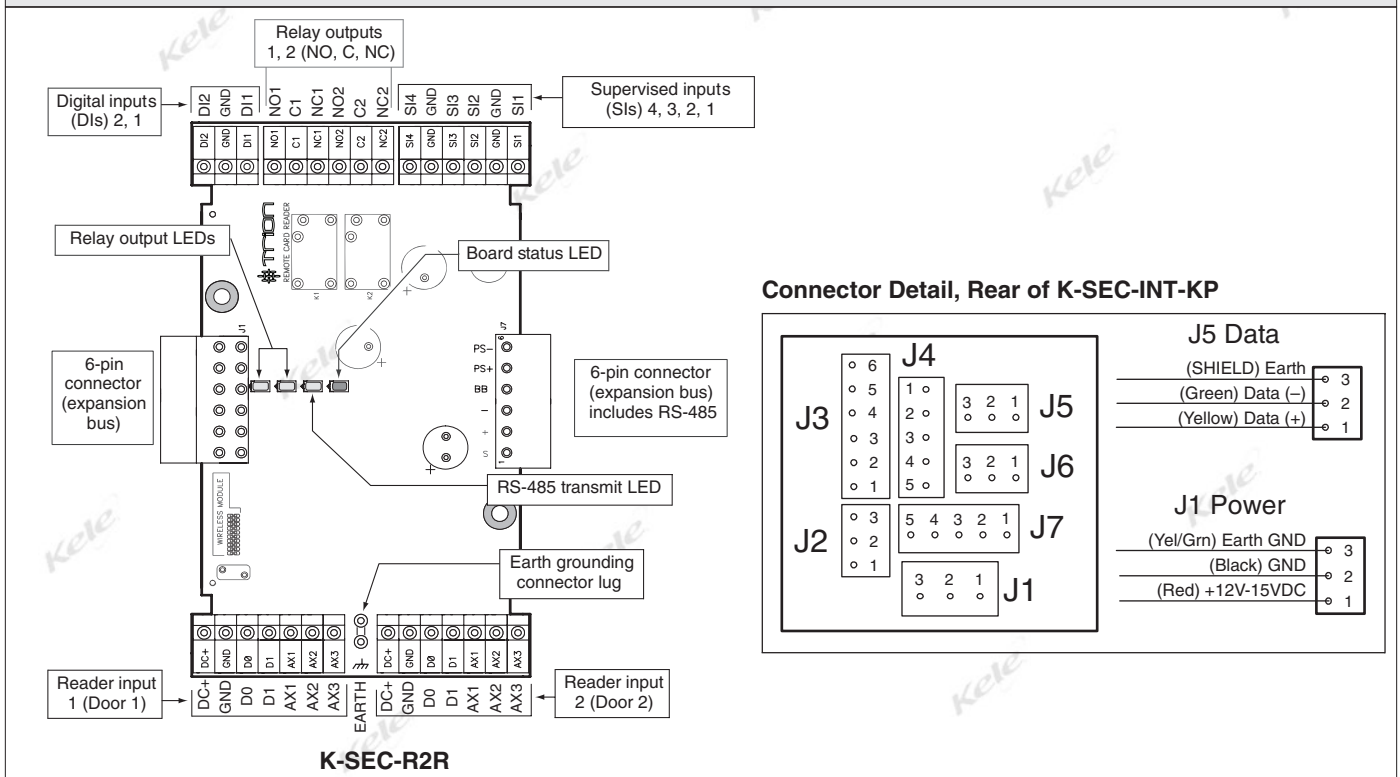
TRION ACCESS CONTROL SYSTEM K-SEC SERIES



K-SEC-J-201 AND K-SEC-J-601 LAYOUT



K-SEC-R2R AND K-SEC-INT-KP LAYOUT





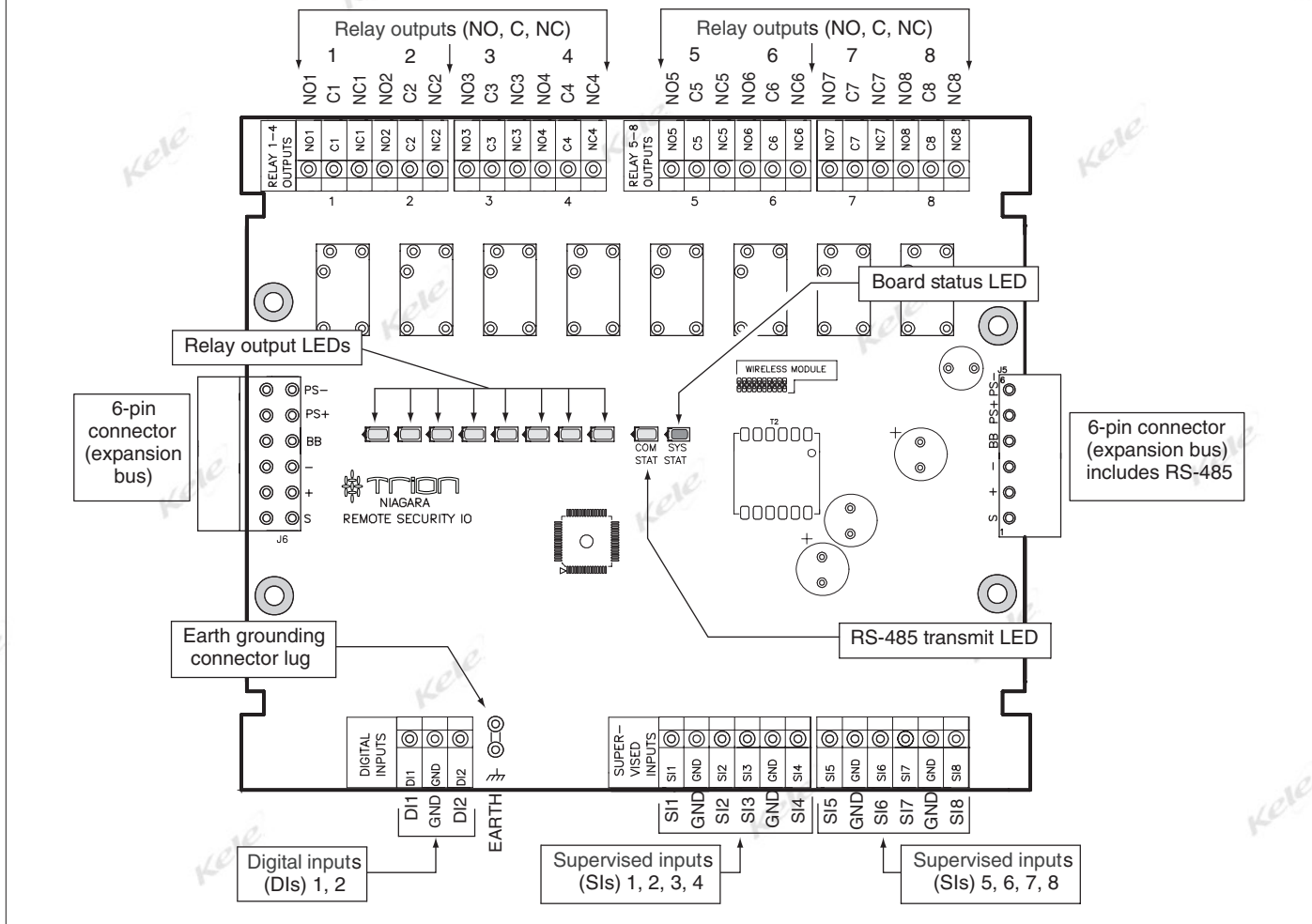
ACCESS CONTROL

TRION ACCESS CONTROL SYSTEM K-SEC SERIES

1

ACCESS CONTROL

K-SEC-RIO LAYOUT



ORDERING INFORMATION

MODEL	DESCRIPTION
K-SEC-J-201	Includes connections for 2 card readers, 6 supervised inputs, 4 Form C relay outputs, and 3 digital inputs. Includes 128 MB RAM/64 MB flash, 2 10/100 Mb Ethernet ports, (1) RS-485 serial port, (1) RS-232 serial port, and 2 communication card option slots.
K-SEC-J-601	Same as K-SEC-J-201 except: Includes 256 MB RAM/128 MB flash, 2 10/100 Mb Ethernet ports, (1) RS-485 serial port, (1) RS-232 serial port, and 2 communication card option slots.
K-NPB-PWR-UN	Universal 90 to 263 VAC in, 15 VDC out, 30W power supply.
K-SEC-R2R	Card reader module, 2 card readers, 4 supervised Inputs, 2 Form C relay outputs, and 2 digital inputs.
K-SEC-RIO	I/O module, 8 supervised inputs, 8 Form C relay outputs, and 2 digital inputs
K-NPB-2X-485	Trion 485 communications card
K-NPB-LON	Trion LON communications card
K-SEC-INT-KP	LCD display and keypad for arming and disarming intrusion zones.